



Pioneer Pump is the world leader in high-flow pump technology. We are a global company with advanced manufacturing centers in the US and Europe, supported by a worldwide distribution network. Our engineering leadership creates environmentally friendly pumps that, size for size, move more water, more efficiently, more reliably than ever before. Our customer service is second to none, with more than 200 years of combined experience applied to every project. *This is performance through innovation. This is Pioneer Pump.*

Pioneer Pump manufactures the most complete line of high-performance pumps available for solids and clear liquids handling:

- **Pioneer Prime Series**  
Vacuum-assisted, automatic priming, run-dry pumps
- **Standard Centrifugal Series**  
Standard end suction centrifugal pumps
- **Self-Priming Series**  
Standard self-priming pumps in a variety of configurations
- **Hydraulic Submersible Series**  
Pumps and power units available for submerged pumping duties

[www.pioneerpump.com](http://www.pioneerpump.com)

■ **Corporate Headquarters  
North America, South America, and Asia**

310 South Sequoia Parkway  
Canby, Oregon 97013  
United States  
Tel +1 503 266 4115  
Fax +1 503 266 4116

■ **Europe, Russia, Middle East**

Woolpit Road, Rattlesden  
Suffolk, England  
United Kingdom  
Tel +44 (0) 1449 736777  
Fax +44 (0) 1449 737322  
[enquiries@pioneerpump.co.uk](mailto:enquiries@pioneerpump.co.uk)

■ **Africa**

Unit F4 Dekema Park, 284a Dekema Road  
Wadeville, Germiston, South Africa  
Tel +27 (0) 118240085  
Fax +27 (0) 118240084  
[sales@pioneerpump.co.za](mailto:sales@pioneerpump.co.za)

■ **Australia**

Unit 1, 67 Proximity Drive  
Sunshine West, Victoria 3020  
Australia  
Tel +61 (3) 9988 1650

Distributed by:

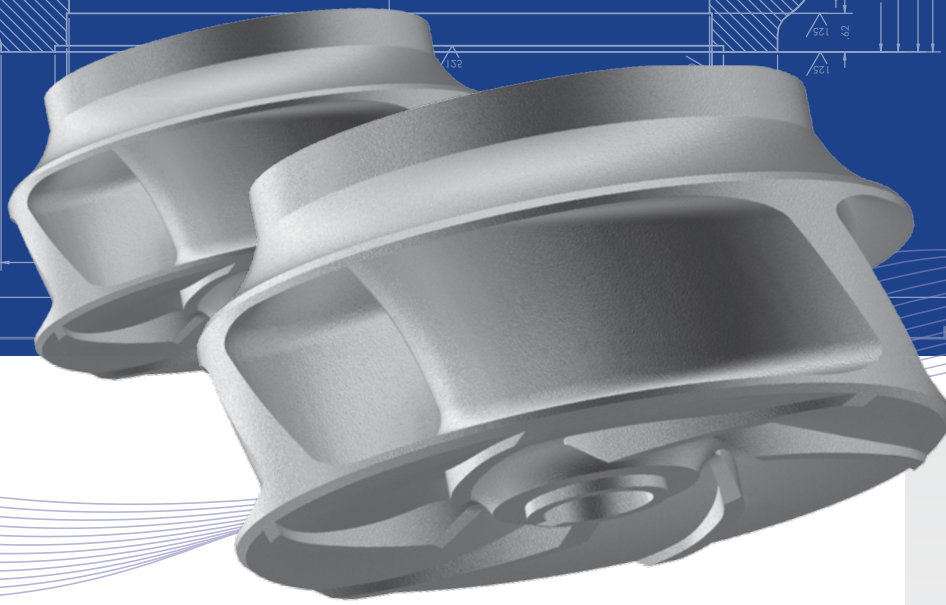


# All Products

3/4" - 1.50  
3/4" - 1.00  
STRAIGHT CENTER LINE

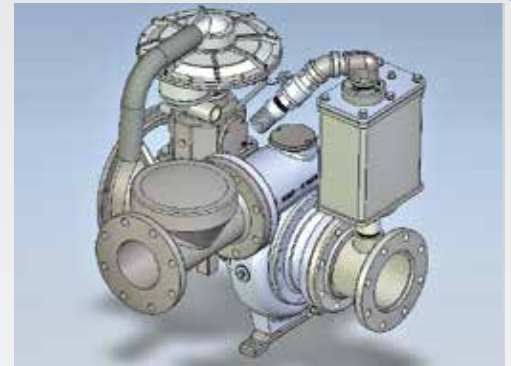
R4.75

3/8" - 1.6 Trapped nose



*The day you need to move 1,000,000 gallons of water in a couple hours is not the day to be figuring out how to do it. You found that solution when you chose a Pioneer Pump. Every pump in our extensive line is advanced engineered to move water faster, more efficiently and with less downtime, whatever the application. **Guaranteed.***

**This is Pioneer Pump. This is Performance Through Innovation.**



## **Engineering Leadership**

Pioneer Pump's innovation begins with our engineering team. Using the latest computer technology, we design our pumps to deliver outstanding hydraulic performance for both solids handling and clear liquid applications. Our large impeller eye areas provide higher suction lifts, lower NPSHr and more stable operation. No other company designs and builds centrifugal pumps capable of our extreme flows and pressures.

*With people and pumps around the world, you can count on us. Wherever you are.*

*Whatever you need. Whenever you need it. From our engineers to our sales support*

*staff to our global distribution network, **Pioneer Pump is ready.***

5

4

3

9.50±.04



## Rugged Construction

From the Arctic to the equator, from oil exploration to corrosive waste, Pioneer pumps are built to survive — and thrive — in the most demanding applications. Robust ductile iron (or special metal) construction combined with oversized bearings and shafts provide unparalleled reliability. In industries and climates where the cost of downtime is highest, confident customers count on Pioneer Pump.



## Green by Design

With stricter environmental regulations, pumps have to be safer, cleaner and more efficient than ever. All of our pumps utilize the latest engineering techniques to provide high-volume efficiency and low energy consumption. Unlike our competitors, our patented PosiValve™ priming valve prevents spillage and carryover of the product. Compare our pumps to others on gallons pumped and energy consumed. You'll see why we're the greenest choice.



## Smart Designs

Our modular design allows us to fulfill your needs with the right pump for multiple applications while minimizing spare parts. Mounting multiple pump ends on standardized heavy-duty bearing housings enables us to build and ship quickly. Our trailer packages are designed so you can convert to stationary skid with just a few turns of the wrench. Our versatility gives us the confidence to say “yes” to your needs while saving you money.





5



4



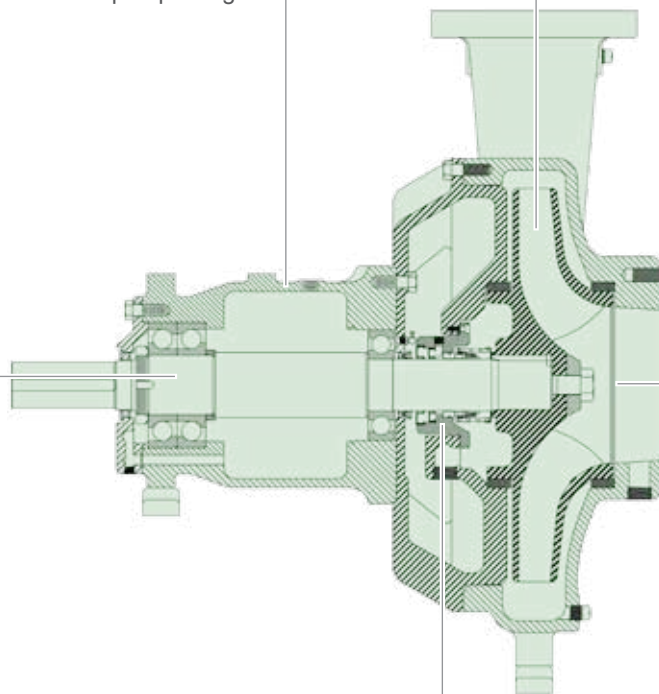
3

9.50±.04

**Reduce overhead costs.**  
Minimize on-hand parts inventory with our modular pump design.

**Reduce operating costs.**  
Our industry-leading, high-performance impeller design provides more flow with less horsepower for lower operating costs.

**Minimize maintenance costs.**  
Keep the pump running optimally with replaceable wear rings, oversized bearings and shafts. The pump is protected by standard chromed shafts with lip seals or non-contacting bearing isolators that reduce energy consumption.



**Experience superior performance.**  
Lower NPSHr and improved vapor handling are the result of a large impeller eye area.

**Be environmentally responsible.**  
Standard tungsten vs. silicon carbide mechanical seal prevents pump leakage with run-dry option.

*Performance. Reliability. Durability.* Get it all in a Pioneer Pump.  
[www.pioneerpump.com](http://www.pioneerpump.com)





5

4

3

9.50±.04

**Minimize maintenance costs.**

Keep the pump running optimally with replaceable wear rings, oversized shafts and bearings.

**Enjoy quiet operation.**

Sound-attenuated packages available.

**Use less energy.**

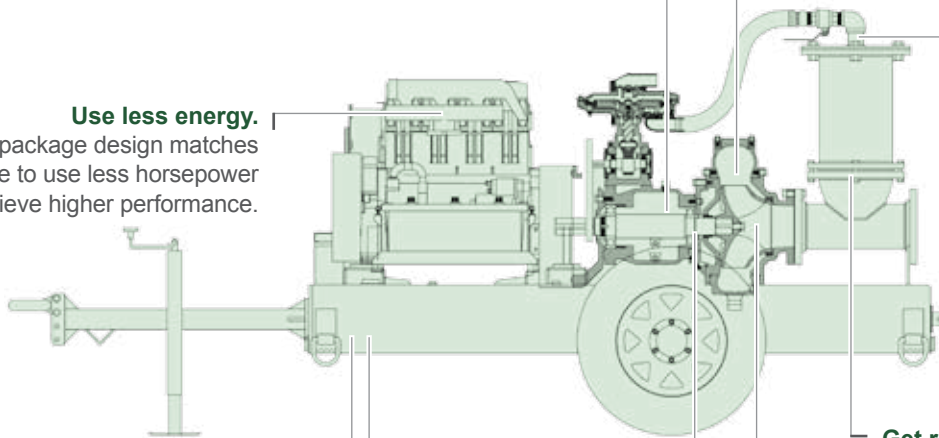
Optimized package design matches pump with engine to use less horsepower and achieve higher performance.

**Lower operating costs.**

More flow with less horsepower means reduced operating costs with our industry-leading, high-performance impeller design.

**Eliminate environmental concerns due to product spillage.**

Our PosiValve stainless steel priming valve is specifically designed to eliminate product carryover.



**Get a rental-ready package.**

Robust skid with large integral fuel tank allows for extended run time.

**Prime from dry for unattended operation.**

Standard indefinite run-dry tungsten vs. silicon carbide mechanical seal with large oil reservoir.

**Get rapid priming and repriming.**

Our UltraPrime priming system provides 50 CFM liquid-tolerant, diaphragm vacuum pump for faster priming and higher air-handling capability.

**Increase flexibility.**

Modular pumpset designs make it fast and easy to convert from trailer to skid.

**Achieve better performance.**

Large impeller eye areas with lower NPSHr characteristics allow for higher suction lift capability.

*Performance. Reliability. Durability.* Get it all in a Pioneer Pump.

[www.pioneerpump.com](http://www.pioneerpump.com)







5

4

3

9.50±.04

**Rely on the best materials.**  
Standard heavy-wall ductile iron volute for durability and peace of mind.

**ELITE SERIES EXCLUSIVE: Improve your seal life.**  
An optional external mechanical seal flush is available for improved seal life.

**ELITE SERIES EXCLUSIVE: See oil levels easily.**  
Two sight glasses make it easy to see the bearing and seal oil levels.

**Enjoy reduced downtime and ease of maintenance.**  
Back pull-out removable rotating assembly gives you direct access to all rotating components without disturbing the pump or piping.

**Worry about something other than the pump.**  
17-4 PH stainless steel shaft is corrosion-resistant, easy to maintain and highly reliable.

**ELITE SERIES EXCLUSIVE: Protect the bearings.**  
Rotating assembly utilizes a double lip seal with atmospheric drain for additional bearing protection.

**Get peak performance.**  
The simple external shimless impeller adjustment means that the user can easily adjust the tolerance between the impeller and wearplate.

**One pump. Lots of applications.**  
Viton® O-rings allow for use in a wide range of applications.

**ELITE SERIES EXCLUSIVE: Make easy adjustments for longer impeller life.**  
Simple, external, shimless impeller adjustment from the rotating assembly or cover plate allows for adjusting the tolerances for increased wear life.

**Keep trash moving.**  
Semi-open trash handling ductile iron impeller.

**Trust our seals.**  
Cartridge type tungsten vs. silicon carbide mechanical seal for ease of maintenance and simple installation.

*Performance. Reliability. Durability.* Get it all in a Pioneer Pump.  
[www.pioneerpump.com](http://www.pioneerpump.com)



# Hydraulic Submersible

## DESCRIPTION

Heavy-duty hydraulic submersible pumps and power units

## PERFORMANCE

<b>Size</b>	1.5–18 inch 40–450 mm
<b>Flow</b>	20–18,000 usgpm 4–4,000 m <sup>3</sup> /hr 2–2000 l/s
<b>Head</b>	700 feet 210 meters

## AVAILABLE CONFIGURATIONS

Bearing frame-mounted  
Engine-driven skid or trailer packages  
Electric-driven packages  
Sound-attenuated skid or trailer packages

## INDUSTRIES

Construction  
Industrial  
Municipal  
Agricultural  
Mining  
Industrial waste  
Sewage  
Dewatering  
Sludge transfer  
Manure slurry

*Ideal for dewatering, construction and mining applications, Pioneer hydraulic submersible pumps and power units offer solids handling and clear liquid service. Pumps are available in a variety of different metallurgies.*

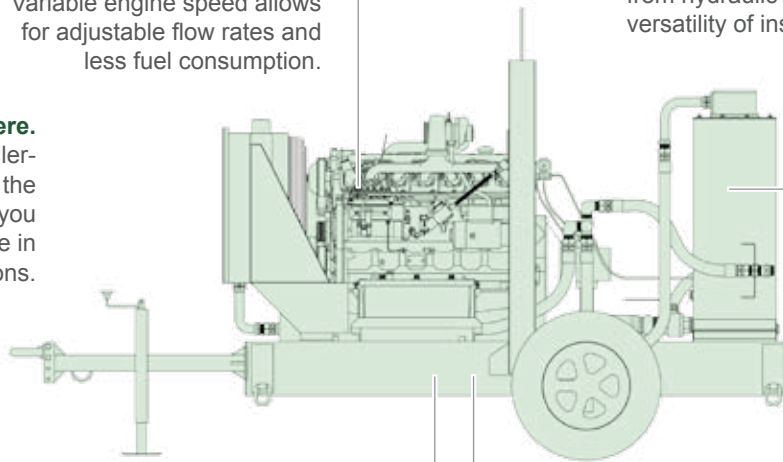


# Hydraulic Power Unit

**Reduce operating costs.**  
Variable engine speed allows for adjustable flow rates and less fuel consumption.

**Enjoy location flexibility.**  
Power unit can be located away from hydraulic pump, allowing for versatility of installation.

**Use it anywhere.**  
Engine-driven skid or trailer-mounted packages take the power units anywhere you need them. Also available in electric-driven configurations.



**Be eco-friendly.**  
Can be operated with biodegradable or vegetable oils.

**Get a rental-ready package.**  
Robust skid with large integral fuel tank allows for extended run time.

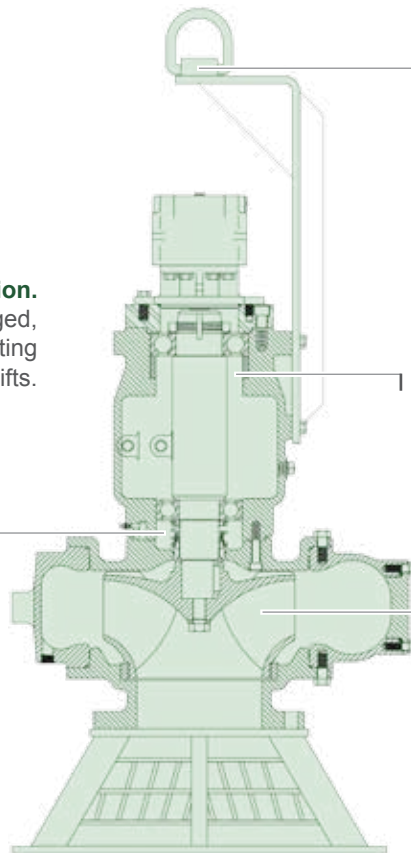
**Get package flexibility.**  
Modular trailer design with bolt-on components. Same package can be used in skid or trailer configuration.

# Hydraulic Pump

**Enjoy ease of operation.**  
Pump is submerged, thereby eliminating priming or suction lifts.

**Install it easily.**  
Light-weight and compact for ease of installation.

**Set it and forget it.**  
Indefinite run-dry capability without damage to the pump.



**Be environmentally responsible.**  
Heavy-duty, low-pressure, oil-lubricated bearing block with tungsten vs. silicon carbide mechanical seal to prevent pump leakage.

**Use one pump for many applications.**  
Designed for heavy sludge, sewage, trash, and clear liquid applications.

*Performance. Reliability. Durability.* Get it all in a Pioneer Pump.  
[www.pioneerpump.com](http://www.pioneerpump.com)